



Comfort. By design

20/05/2011
CI/SFB [56]

www.dimplex.co.uk

eBrochure

**the information contained within this pdf document has
been downloaded from the official Dimplex website**

The information is correct at time of downloading, but Dimplex reserves the right to
change specification without notice.

TR range

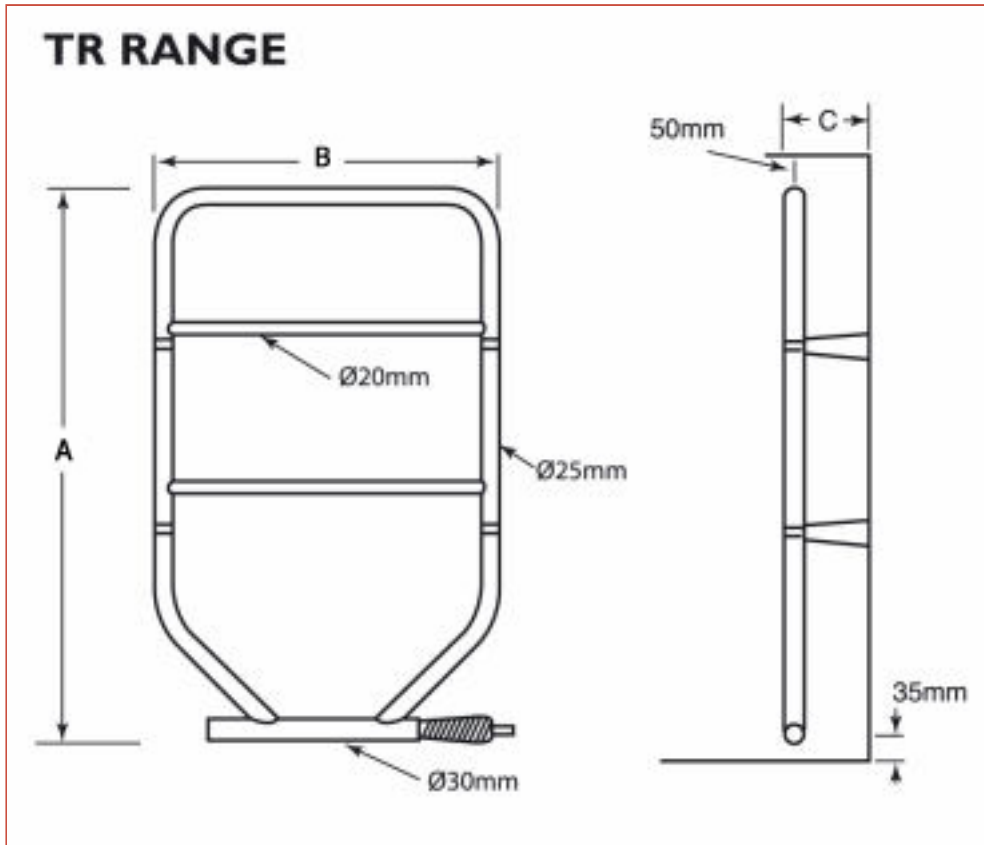


Features

- A range of five models.
- Choice of sizes and finishes.
- Oil filled.
- Larger models will help to take the chill off a small bathroom or cloakroom.
- Mains neon indicator.
- Splash-proof (IPX4 rated) for use in bathrooms and other wet areas.
- Supplied with wall mounting brackets as standard.
- Can be used with the new Dimplex radio frequency controllers and the Dimplex energy regulator DX4123.

TR Towel Rails

TR range



Model No.	Loading	Height (A)	Width (B)	Depth (C)	Finish	Accessory Feet
TRC 90/W	60W	616mm	533mm	93mm*	Chrome	-
TRS 120/W	120W	616mm	533mm	93mm*	White	-
TRC 130/W	90W	851mm	533mm	93mm*	Chrome	TR2212
TRC 150/W	120W	851mm	787mm	93mm*	Chrome	TR2212
TRS 175/W	175W	851mm	533mm	93mm*	White	TR2304

* including wall bracket 93mm. Depth with feet 165mm

Technical Specification

Construction

Tubular steel.
TR range - oil filled

Cable Entry

All models - left or right hand.

Colour/Finish

White stove enamel or chrome plated. As a plated finish radiates less heat away from its surface, the plated models have a lower loading compared with the equivalent physical size stove enamel model, so that both have a similar surface temperature.

IP Rating

Splash-proof IPX4 for bathroom use.

Electrical Connections

Supply cable is provided for connection to the fixed wiring of the premises via a suitable double pole isolating switch. Installation must be carried out strictly in accordance with the current edition of the IEE wiring regulations. If the towel rail is fitted in a bathroom essentially these regulations preclude the use of a plug and socket and any control switch must be normally inaccessible to a person using a fixed bath or shower. The pull cord of a cord-operated switch is not affected by this regulation.

Installation

Back box depth of 17mm required behind fascia plate.

TR Towel Rails

After Sales Service

After sales service if required is absolutely no problem with Dimplex - we have a network of appointed Service Agents spread throughout the Country who are qualified and trained to repair or service any of our appliances.

Bathrooms

Any electrical appliances installed in a bathroom should be fitted by a competent electrician in accordance with the current I.E.E. Regulations. Portable heaters are NOT suitable for use in a bathroom. Unless otherwise specified, heaters that can be permanently fixed have to be so mounted that any controls cannot be reached by a person using a bath or shower. This restriction does not apply to Dimplex heated towel rails, which do not have controls.

Safety

Dimplex products are designed to comply with EN60335 the British Standard covering the safety requirements of electric heating appliances, and momentary contact with any part of the heater should not cause injury. However, in order to be effective, heaters or towel rails of any type do get hot especially (if applicable) around the air outlet grille. Therefore if aged or infirm persons, or young children, are likely to be left unsupervised in the vicinity of a heater we advise that precautions should be taken. We recommend that a guard is fitted around the heater, as is normal with many types of heating appliances in similar circumstances, to ensure contact with the heater is avoided and objects cannot be inserted into the product. Heating appliances should never be covered or positioned where objects may fall onto them.

Specifications

Dimplex policy is one of continuous improvement; the Company therefore reserves the right to alter specifications without notice. Although every care has been taken in the reproduction of product finishes in this brochure, the colour photographs should be taken only as a guide. This information is correct at the time of printing. You are advised to consult your dealer before purchasing.

Plugs

All portable appliances are supplied with a fitted plug.

British Electrotechnical Approvals Board - BEAB Approved

The mark of the British Electrotechnical Approvals Board signifies that the appliance bearing it has been produced to the stringent safety requirements for domestic electrical appliances as laid down in EN60335.

CE Mark

Products carrying the CE mark comply with European safety standards and the European Standard for electro-magnetic compatibility.

Installation Guidance

This information is designed to assist you with your choice of Dimplex products and it is not intended as an installation guide. For safety, products should only be installed by a competent person, in accordance with current regulations and the manufacturers instruction. If you require further advice concerning the installation of our products - especially where the installed dimensions may be critical to your choice and the location of the product - please consult your supplier.



Comfort. By design

Dimplex, Millbrook House, Grange Drive, Hedge End, Southampton, SO30 2DF
For Northern Ireland please contact - Glen Dimplex N.I. Limited, Unit No. 24, Seagoe Industrial Estate, Portadown,

Craigavon, Co. Armagh, BT63 5TH.

© Dimplex. All rights reserved. Material contained in this publication may not be reproduced in whole or in part, without prior permission in writing from Dimplex.

Please note that the dimensions contained within this publication do not in all cases include clearances required around installed product for safe operation.