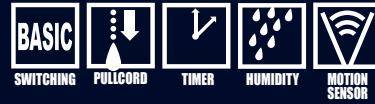


# Aria 100

Everyday ventilation



## KEY FEATURES

- | Ventilation up to 18.5 l/s
- | Quiet – noise levels just 26 dB(A)
- | Basic, Pull Cord, Humidity Timer and Motion sensor Timer version available
- | Wall and ceiling mounting
- | Ball-bearing motor
- | IPX4 rated. Can be installed in Zone 2
- | 2 year warranty

The Aria 100 is a highly reliable, low energy axial fan and is perfect for those looking for an effective, entry level fan that fully complies with Building Regulations. Aria acts as an unobtrusive, cost effective extractor fan for homeowners that also makes installation simple for installers.

Aria is designed to adapt around your needs, as it can be easily mounted on the wall and ceilings of toilets, en-suites and bathrooms. Thanks to its compact and unobtrusive design it becomes discrete when installed.

This fan doesn't compromise on quality, its ball-bearing motor guarantees the long-term performance of the unit. The Aria's axial impeller operates quietly to provide you with fresher, improved indoor air.

## MODELS

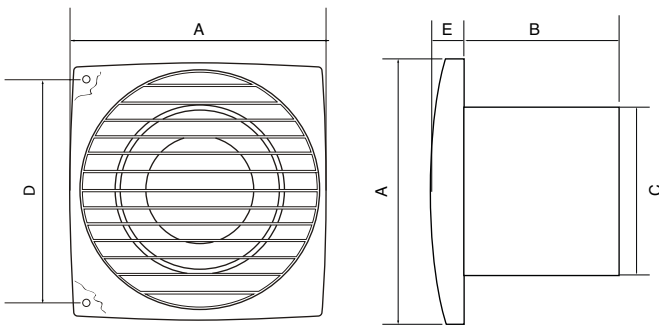
<b>Basic</b>	Control by remote switch
<b>Pull cord</b>	Pull cord can override remote switch operation
<b>Timer</b>	Adjustable timer overrun between 2 and 30 minutes
<b>Humidity Timer</b>	Humidity sensor can be set between 60 – 90% RH
<b>Motion Sensor Timer</b>	PIR sensor activates fan



## TECHNICAL DATA

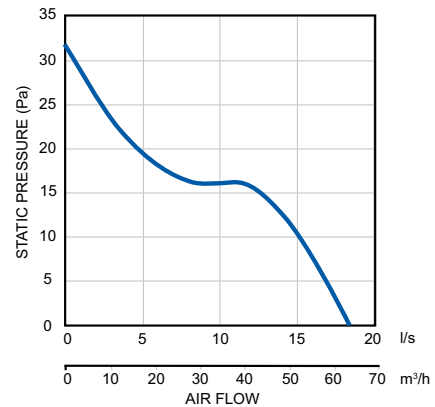
Specification	Aria 100B	Aria 100PC	Aria 100T	Aria 100HT	Aria 100MST
Air flow m <sup>3</sup> /h / l/s	66.5 / 18.5				
Fan type	Axial				
Controls	Basic	Pull Cord	Timer	Humidity Timer	Motion Sensor Timer
Mounting	Wall / Ceiling				
Sound Pressure dB(A) @ 3m	26				
Power (W)	6.3				
Amps	0.027				
Specific Fan Power (W/l/s)	0.34				
Duct Diameter (mm)	100				
Voltage (V)	230V / 1ph / 50-60Hz				
IP Rating	IPX4				
Material Finish	Plastic				
Weight (kg)	0.56				
Dimensions (h x w x d) (mm)	150 x 150 x 102				
Part number	90000687	90001400	90000688	90000689	90000690
EAN	5019009320397	5019009328645	5019009320403	5019009320410	5019009320427

## DIMENSIONS



Model	A	B	C	D	E
Aria 100	150	102	100	122	17

## PERFORMANCE



## CONTROLS & ACCESSORIES



Others products available from [airflow.com](http://airflow.com)

Call: 01494 525252

Visit: [airflow.com](http://airflow.com)



**Airflow Developments Limited**  
Aidelle House, Lancaster Road,  
Cressex Business Park,  
High Wycombe, Buckinghamshire,  
United Kingdom, HP12 3QP

E-mail: [info@airflow.com](mailto:info@airflow.com)  
Telephone: +44 (0) 1494 525252

[airflow.com](http://airflow.com)

© Airflow Developments Limited. Airflow Developments Limited reserve the right, in the interests of continuous development, to alter specifications without prior notice. All orders are accepted subject to our conditions of sale which are available on request



80000543 - Issue 4 01/25