

VORT SUPER DRY RANGE

AUTOMATIC HAND DRYERS

Automatic electric airblade hand dryers. Equipped with a **HEPA filter** and **germicidal lamp (UV)** to protect users' hygiene. Suitable for installation in public places, swimming pools, gyms, wellness centers, service areas, etc., characterized by heavy daily use.

- 2 models

Display for the visualization of the residual time of operation and warning lights that indicate the operating status of the product, the filter sterilization status and any anomalies.

Simple and effective: just insert your hands into the appliance and powerful air jets dry the two sides of the hands simultaneously. The Vort Super Dry UV stops automatically as soon as hands are removed.

The spigot shape, open on both sides and inclined forward by 15°, facilitates the hand placement.



VORT SUPER DRY UV B code 70907
(white)



VORT SUPER DRY UV G code 70908
(gray)

Hands dry in 10", saving energy. Lower drying times thanks to the powerful dual air jet guaranteed by the brushless EC motor, low consumption.

BENEFITS FOR THE INSTALLER

- Easy installation.
- Reliability, quality and safety.
- Easy maintenance.

BENEFITS FOR THE USER

- **Maximum hygiene thanks to the UV lamp and HEPA filter:** the products, thanks to the infrared sensor, are activated without touching anything, only with the hand placement.
- Reliability, quality and safety.
- Lower drying times: 10" thanks to the double air flow.
- Savings / economy, guaranteed by the brushless motor (low consumption).
- The electric heaters can be deactivated with a special switch.
- Low maintenance costs.
- Intensive use.
- More bathroom decorum: no more paper on the floor or in the drains.
- Environmental sustainability: we avoid tree felling.
- Reliable and timely service: we avoid the situation when there is no more paper in the dispenser or the textile roll does not rotate or is dirty.
- Integrated drip tray with full tank indicator.

HIGHLIGHTS

By comparing* the Vort Super Dry UV with a traditional collector motor hair dryer and paper towels, the savings resulting from the adoption of Vort Super Dry UV are very evident.

FREQUENCY OF USE	VORT SUPER DRY UV	ANNUAL ENERGY COST (€)	
		TRADITIONAL HAND DRYERS	PAPER TOWELS
10 uses/h	101.00	412.00	1,752.00
20 uses/h	205.00	822.00	3,504.00
40 uses/h	406.00	1,643.00	7,008.00

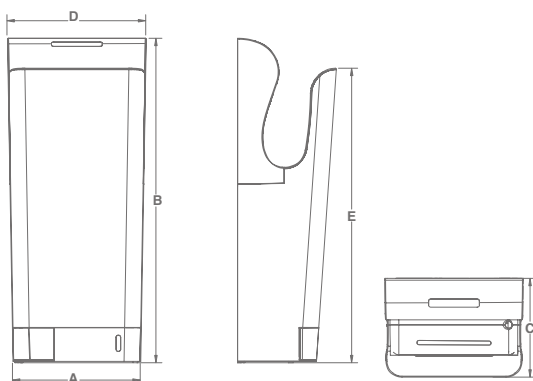
* The simulation was carried out taking into account that:

- the drying time is 10 seconds with the Vort Super Dry UV (with electrical resistance set to 900 W);
- the drying time is 30 seconds using a traditional hand dryer equipped with a collector motor;
- the average number of towels used for each drying is 2;

- the unit cost of paper towels is € 0.01 each;
- the hourly cost of electricity is 0.25 €/kWh.

The simulation also does not take into account the savings on maintenance costs due to the periodic replacement of the collector motor brushes and the refilling of paper towels.

DIMENSIONS



Dimensions (mm)

PRODUCTS	A	B	C	D	E
VORT SUPER DRY UV B	278	705	215	300	638
VORT SUPER DRY UV G	278	705	215	300	638

VORT SUPER DRY RANGE

AUTOMATIC HAND DRYERS



Tank for the collection of residual water drops.

Full tank indicator.

Control panel for quick and easy access to manual setting devices: on/off, speed selection and resistance selection.

The HEPA filter prevents the risks of contact with allergens possibly present in the environment.

TECHNICAL DATA

PRODUCTS	CODES	V~50/60HZ	W TOTAL	W MOTOR	RPM MOTOR	AIR SPEED* Km/h	Lp dB(A) 1 m	KG
VORT SUPER DRY UV B	70907	220-224	1650/2050	750	20000	76	76	11
VORT SUPER DRY UV G	70908	220-224	1650/2050	750	20000	76	76	11

* Speed measured at the hand insertion slot.

TECHNICAL FEATURES

- **2 models**, different in their chromatic finish.
- **Self-extinguishing resin (VO) molded enclosures** that are **impact resistant** and of color **white** or **silver** depending on the model.
- Wall-mounted flanges in sheet steel.
- **EC (brushless), low consumption motors** that are thermally protected, with shafts mounted on ball bearings.
- **The electric heaters can be deactivated**: a special button makes it possible to deactivate them when the high ambient temperatures prevent consumption related to treated air heating.
- **Germicidal lamp (UV)**.
- **Immediate shutdown** when hands are removed.
- **Integrated anti-vandal protection** in the control electronics that determines the **automatic shutdown** of the appliance after 25" of uninterrupted operation.
- **Protection** against overheating, overloads and short circuits.
- **Control electronics** with **LCD** display indicating the remaining operating time and **set of indicator lights** highlighting any anomalies.
- **Drip collection tank**.
- **HEPA filter**.
- **Degree of protection** from dust and water: **IPX4**.
- Electrical insulation class: I (grounding required).
- Compliant with the requirements of European Regulation 1275/2008/EU.